

AG-GRANULATOR

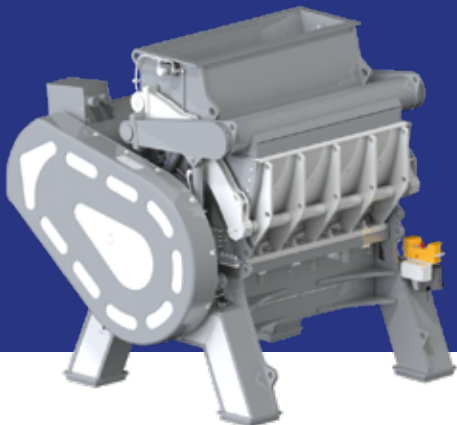
GRANULATOR WITH BITER QUALITY

**COMPETENCE.
DRIVE.
RELIABILITY.**

The extremely robust AG Type Granulator was developed for the size reduction of metals but does also perform very well when processing other material such as cable waste, plastics and other materials. No matter which type of material is fed into the AG Granulator – metal, recyclable waste or substitute fuels – each AG granulator performs brilliantly.

“THE SPECIALIST FOR SUBSTITUTE FUELS.”

All components are designed for a maximum durability. The rotor of the AG Granulator is manufactured out of rolled and forged steel and made for a demanding long term use even in the area of scrap metal recycling and substitute fuel preparation.



INPUT SUBSTITUTE FUELS



OUTPUT SUBSTITUTE FUELS

ALL BENEFITS AT A GLANCE

- High throughput capacity up to 20 t/hr.
- Working between 1600 and 2800 mm and drive power from 250 to 500 kW
- Constant cutting quality due to re-adjustable knives
- High performance reserves even when cutting massive metal parts

AREAS OF APPLICATION

The AG Granulator from THM is made for throughput, throughput and again throughput. The areas of applications are exceptional large.

- Domestic and industrial waste
- Oil filters
- Steel and plastic barrels
- Plastics
- Paper
- etc.

PROCESSED MATERIAL FRACTIONS

- Defined output particle size due to easy exchangeable screen
- Granules and flakes 10 – 100 mm

TECHNICAL SPECIFICATION

Type	Infeed Opening	Knife Flight Circle	Rotor Speed	Knife Count	Power	Hydraulic Unit	Dimensions (l x w x h)	Weight
AG 1608	1650 x 615 mm	785 mm	250 1/min	40 Rotor Knives and 8 Stator Knives	250 kW	15 kW	2985 x 2785 x 3360 mm	ca. 24 t
AG 2008	2020 x 615 mm	785 mm	250 1/min	50 Rotor Knives and 10 Stator Knives	315 kW	15 kW	2985 x 3200 x 3360 mm	ca. 27 t
AG 2808	2830 x 615 mm	785 mm	120 - 200 1/min	70 Rotor Knives and 14 Stator Knives	2 x 250 kW / 2 x 315 kW	15 kW	2985 x 4320 x 3360 mm	ca. 36,5 t

