

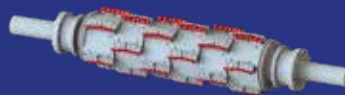
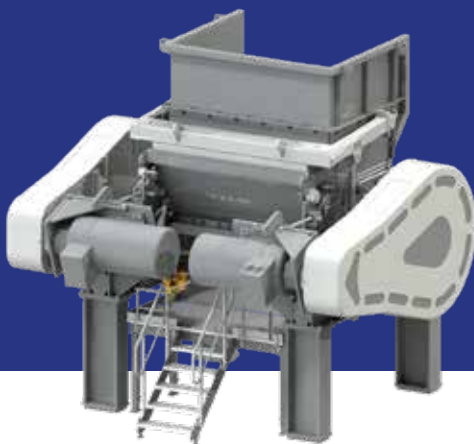
UNIVERSAL GRANULATOR XG

UNIVERSAL GRANULATOR FOR SINGLE-STAGE SHREDDING

**COMPETENCE.
DRIVE.
RELIABILITY.**

THM's Universal Granulator XG is used for single-stage shredding of a variety of different materials. Whether wood, RDF, cable scrap, electronic scrap, metals or other materials, the universal granulator XG performs brilliantly. Thanks to the large inlet opening, the Universal Granulator can shred very large and bulky parts to the desired final size in a single operation. A segmented granulating screen is mounted below the rotor. The hydraulically swing-off screen basket allows a quick and easy change of the screen segments. By selecting the screen-hole size, the output grain size is determined.

All components are designed for a maximum durability. The rotor of the XG Granulator is manufactured out of rolled and forged steel and made for a demanding continuous use even in the toughest work environment.



INPUT CABLES



OUTPUT CABLES

ALL BENEFITS AT A GLANCE

- High throughput
- Consistently high cut quality thanks to re-adjustable knives
- Extra large flywheel
- High stability and smooth running due to high machine weight
- Hydraulic pusher unit, therefore even lightweight material is easily shredded
- Easily exchangeable wear parts

AREAS OF APPLICATION

- Household, commercial and industrial waste
- Metals
- Plastics
- Textiles
- Cardboard and paper
- Cable scrap
- Wood
- Rejects

PROCESSED MATERIAL FRACTIONS

- Defined particle size due to easy exchangeable screen segments
- Granules and flakes 20 – 100 mm

TECHNICAL SPECIFICATION

Type	Infeed Opening	Knife Flight Circle	Rotor Speed	Knife Count	Power	Hydraulic Unit	Dimensions (l x w x h)	Weight
XG2400	2400 x 1500 mm	785 mm	60-80 l/min (FU controlled)	60 Rotor Knives and 12 Stator Knives	2 x 110 kW (12 pins)	22 kW	4260 x 5150 x 4830 mm	ca. 43 t

